

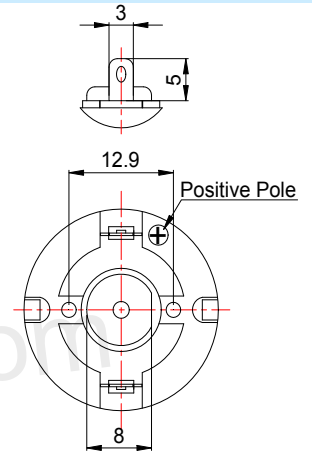
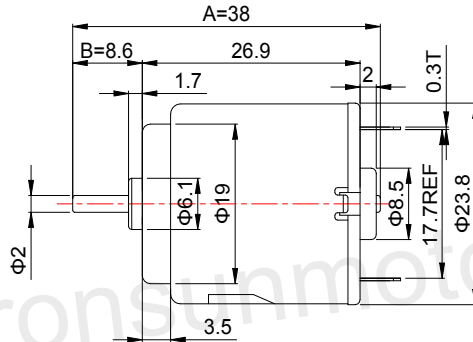
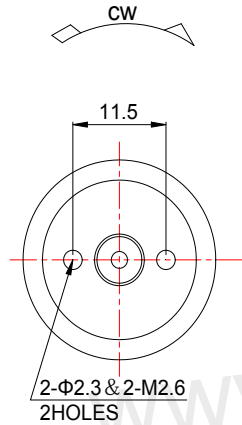
输出功率: 约0.5~8.0W  
普通金属电刷马达/碳刷马达  
典型应用: 电动玩具  
无线控制模型  
家用电器

OUTPUT: APPROX 0.5~8.0W  
Metal-brush Motors/Carbon-brush Motors  
Typical Applications: Electric Toys  
Wireless Control Model  
Household Appliances

## 1. OUTLINE DRAWING:

UNIT:MM

DIRECTION OF ROTATION

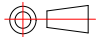


Customizable Parameters:

1. Length A and B
2. Electric Performance
3. Direction of Rotation
4. Eccentric Wheel is available

WEIGHT: 28g(Approx)

View:



## 2. MOTOR PERFORMANCE :

MODEL	VOLTAGE		NO LOAD		AT MAXIMUM EFFICIENCY				STALL			
	OPERATING RANGE	NOMINAL V	SPEED rpm	CURRENT A	SPEED rpm	CURRENT A	TORQUE g.cm	TORQUE mN.m	OUTPUT W	TORQUE g.cm	TORQUE mN.m	CURRENT A
RC-260RA-2670	2.5~5.0	4.5	18500	0.24	15500	1.29	18	1.77	2.86	120	11.78	6.92
RC-260RA-18130	2.0~5.0	3.0	6900	0.09	5504	0.36	9.7	0.95	0.55	48	4.71	1.4
RC-260SA-20135	3.0~7.0	6.0	9600	0.13	8000	0.64	25	2.45	2.05	152	14.92	3.1

